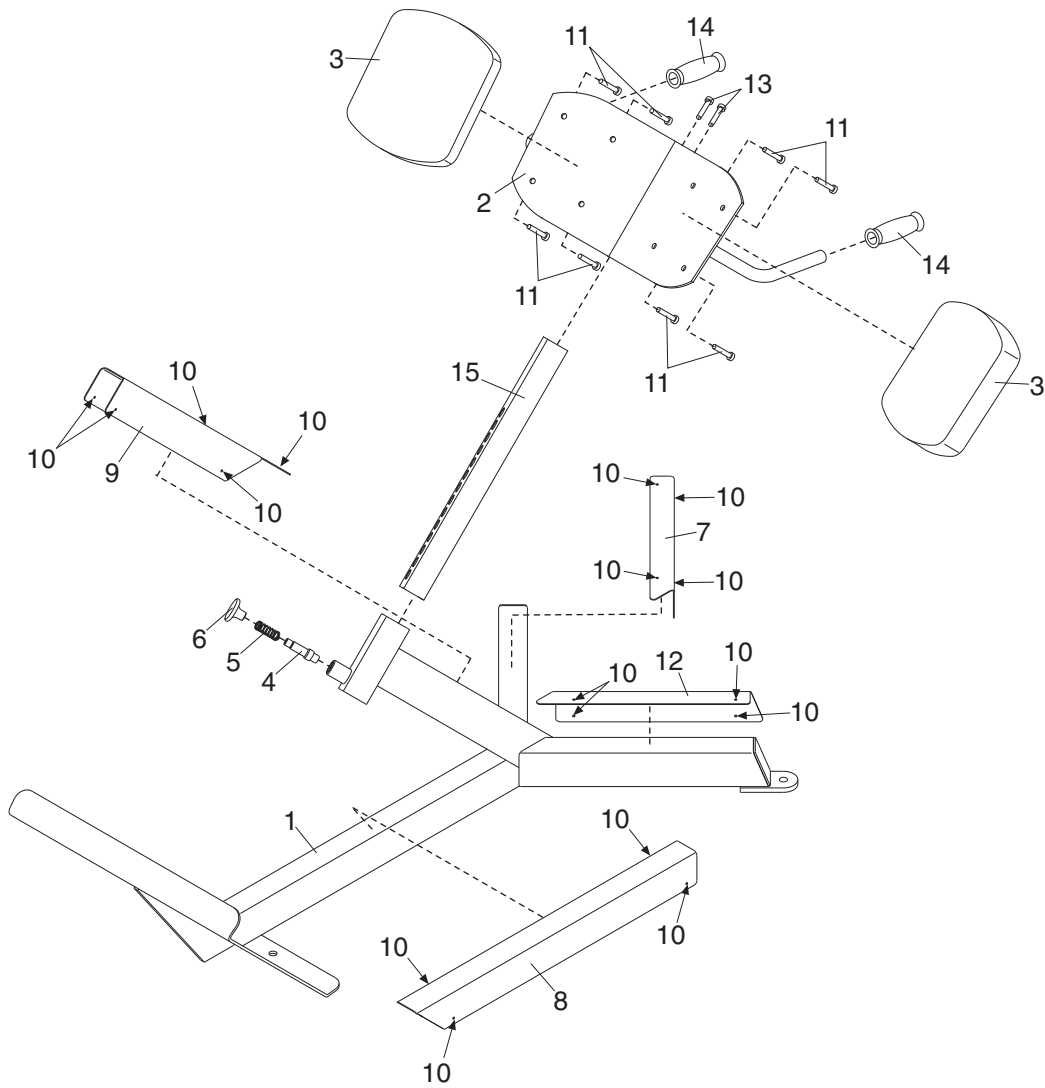


# EXPLODED DRAWING—Model No. GZFW2061.2

R0106A



| Bubble # | OEM Number | Description       |
|----------|------------|-------------------|
| 3        | GZ5108-09  | PAD               |
| 4        | GZ3352     | ADJUSTMENT PIN    |
| 5        | 285751     | SPRING            |
| 6        | GZ3350     | ADJUSTMENT KNOB   |
| 10       | GZ1021-01  | RIVET             |
| 13       | GZ1013-12  | 3/8" X 1.25" BOLT |
| 14       | GZ1032-01  | HANDGRIP          |
| #        | GZ7353     | USER'S MANUAL     |